

For regions with exceptionally hot summer conditions which may lead to particularly high fuel temperatures we offer **High Temperature (HT) nozzle types**, available for ZVA Slimline 2 and ZVA Slimline 2 GR.

HT types are suitable for media temperatures up to 45° C (ambient temperatures up to 55° C).

For clear identification the nozzles are marked with 'HT' above the serial number marking on the nozzle body.



ZVA Slimline 2 HT - Spare Parts	ZVA Slimline 2 Standard - Spare Parts
EA 058.1 HT pull rod assembly	EA 058.1 pull rod assembly
EA 055 HT (EA 055 HT DSA for DSA option) valve assembly	EA 055 valve assembly
EB 680 spout bolt	EB 128.1 spout bolt
ER 042.8 reduced spout OD 21 mm	ER 042.7 reduced spout OD 21 mm
ER 042.1 HT spout OD 25 mm	ER 042.1 spout OD 25 mm

ZVA Slimline 2 GR HT - Spare Parts	ZVA Slimline 2 GR Standard - Spare Parts
EA 058.1 HT pull rod assembly	EA 058.1 pull rod assembly
EA 055 HT (EA 055 HT DSA for DSA option) valve assembly	EA 055 valve assembly
EB 680 spout bolt	EB 128.1 spout bolt
ER 130 HT spout	ER 130 spout

Spare part drawing see overleaf.

Note:

- Retrofitting of standard nozzles to the 'HT' type is not possible
- **For DSA option**, please use valve assembly **EA 055 HT DSA**
- Drip Stop is not available as HT type

Installation Hints:

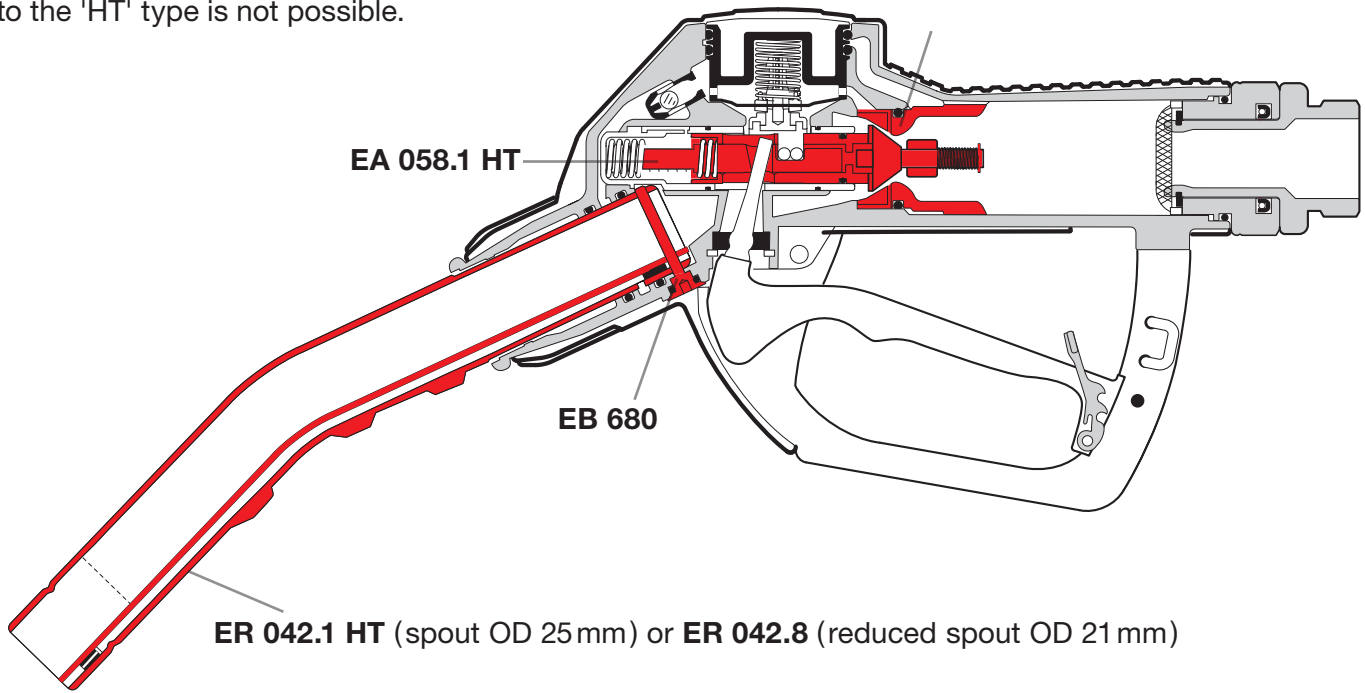
- After assembly of the nozzle to the dispenser hose, switch on the pump, point the spout vertically towards the ground and operate the lever several times to vent air from hose and nozzle.
- Carry out a complete functional testing of the nozzle
- Check
 - Is the nozzle, hose connection and swivel tight under pressure?
 - Does the pump switch off when putting the nozzle back into the nozzle boot?
- Adjust the dispenser flowrate
 - For ZVA Slimline 2 R HT to max. 45 l/min
 - For ZVA Slimline 2 GR HT to max. 40 l/min

ZVA Slimline 2 HT

Special Spare Parts

Note: Retrofitting of standard nozzles to the 'HT' type is not possible.

EA 055 HT
(EA 055 HT DSA for DSA option)



ZVA Slimline 2 GR HT

Special Spare Parts

Note: Retrofitting of standard nozzles to the 'HT' type is not possible.

EA 055 HT
(EA 055 HT DSA for DSA option)

