

ZVF 50 is a high-flow aviation nozzle for overwing and helicopter refuelling. It has replaced the well-known ZVF 40.

The nozzle impresses by its good handling:

- **Light lever action**; the built-in LeverAssist® further reduces the required hold-open force by 75 %
- **Low weight**
- **Easy rotating swivel**
- **Ergonomic construction**

The 2" flow ensures a low pressure-drop and **high flowrate**. Also, the design efficiently minimises pressure shocks. A **sensitive flow control** allows easy top up.

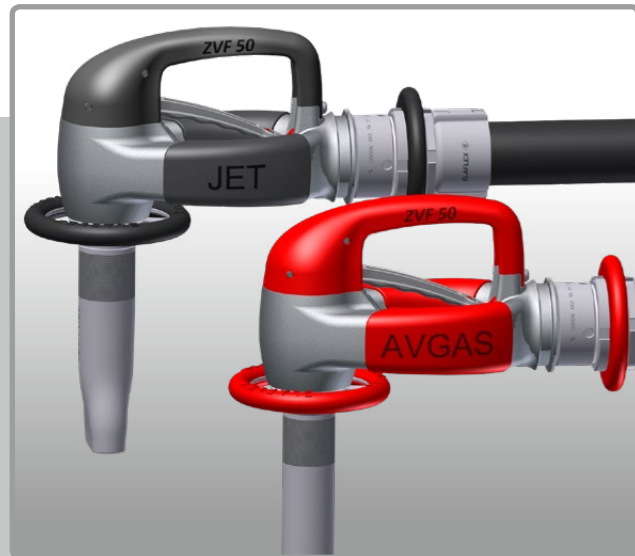
ZVF 50 is in alignment with the requirements of the **JIG guidelines** (Joint Inspection Group) and features a number of safety enhancements:

- The **Colour Coding** avoids misfuelling between JET (black), AVGAS (red) and UL (green).
- The use of **non-ferrous metals** protects against fuel contamination and makes the nozzle suitable for biofuels of today and the future.
- **Integrated bumpers** prevent the aircraft surface from damages.
- **Improved spout change system** with threaded or Push-Twist-Lock connection. Common to both solutions: spouts can be changed without tools and rotated in any position – this is important for JET-A1 spouts. Simplified inspection and cleaning of the strainer, safe prevention of unintended release. If spout types are regularly changed, we suggest the timesaving Push-Twist-Lock option.

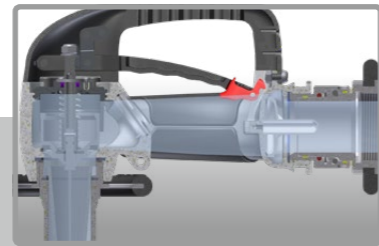
The corresponding nozzle boot **NB-ZVF 50** (see picture right hand side) serves for the safe installation on board of airfield refuellers. It is available for all ZVF 50 configurations. For further details, please see Elaflex Information 10.15.



Taking fuelling to new heights: ZVF 50



JET, AVGAS or UL: Clear Colour Coding to avoid misfuelling.



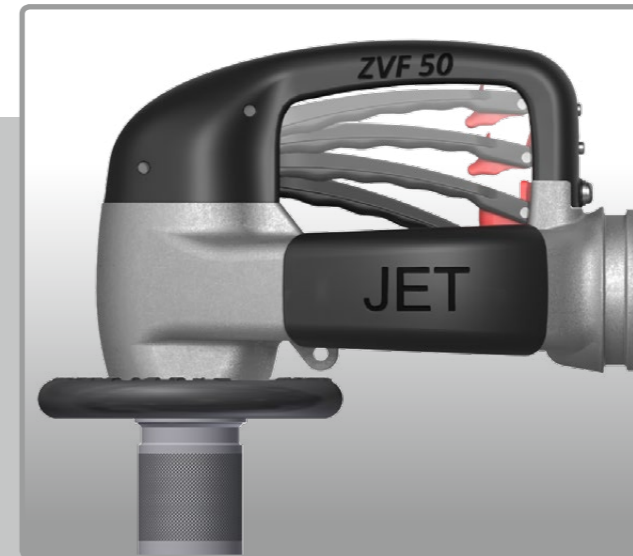
High flowrate, low pressure drop.



Weight only 2,7 kg.



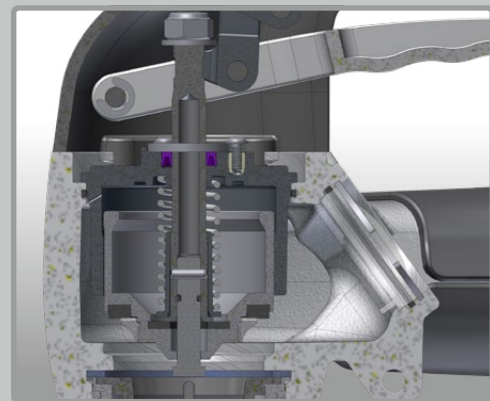
Ergonomic construction – easy handling.



Light lever action, high comfort.



LeverAssist® reduces hold-open force by 75 %.



Sensitive flow control, minimised pressure shock.



Screw-In Spout Connection (SIC): no tools necessary, JET spout adjustable.



Push-Twist-Lock Spout Connection (PTL): quick spout change and strainer control.



Patented - EP 2574597 and US 9051164.

International design protection.

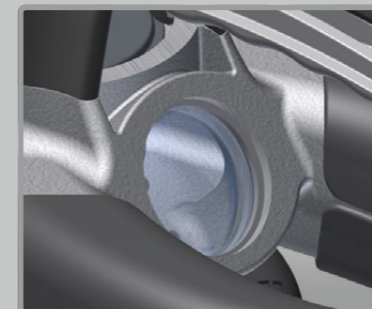
LeverAssist® are registered trademarks of ELAFLEX.



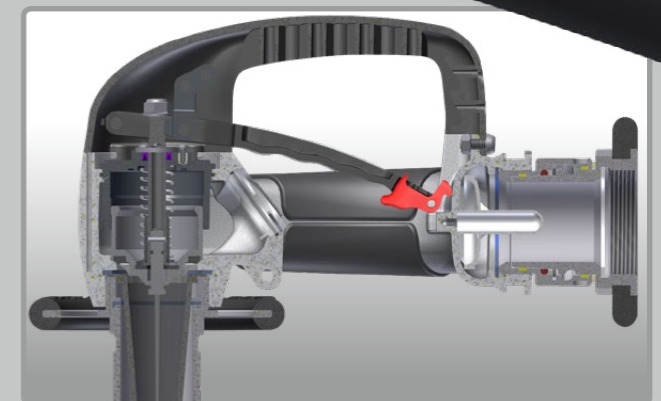
Easy-Rotating Swivels.



1 1/2" or 2", BSP or NPT, with bumper.



Option Integrated Sight Glass.



Free of non-ferrous metals: no fuel contamination, suitable also for new generation biofuels. Meets the requirements of JIG.

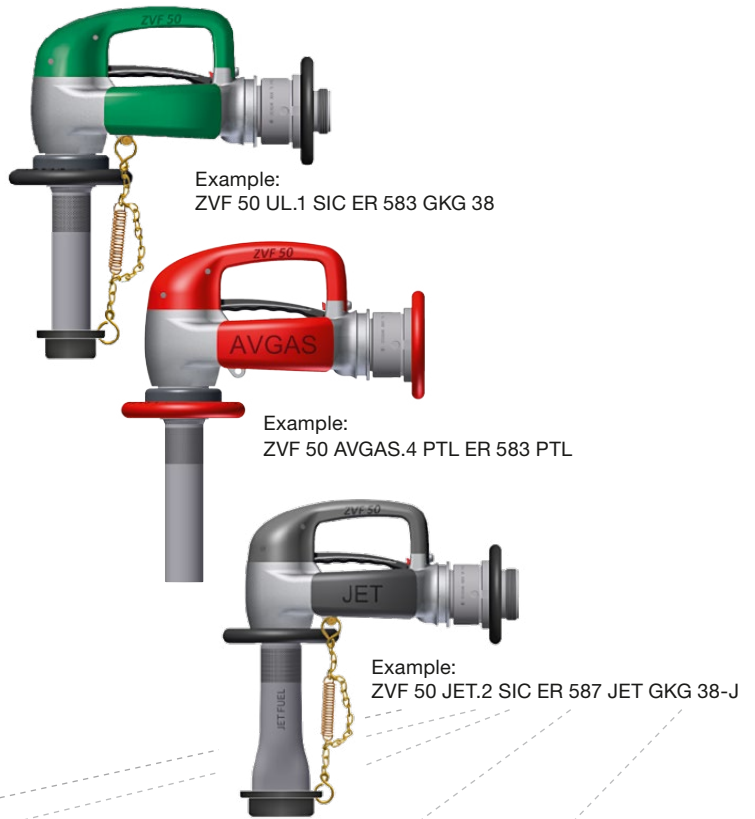
Technical Data

Manual aviation fuelling nozzle for overwing service with JET, AVGAS and unleaded UL fuels. Flow rate up to 400 ltr./min. (85 IGM). Size DN 50 (2"). Working pressure PN 10 (140 psi). Temperature range -40° C up to + 55° C.

Weight ~ 2,7 kg including spout and swivel.

Wet hose type with check valve. Body of aluminium, inner parts stainless steel, PEEK and acetal resin. Lever and guard of reinforced PA, easy-rotating swivels of coated aluminium, bumpers of TPU red or black, seals PU and NBR. Completely free of non-ferrous metals. Conical strainer 100 mesh (160 my) of stainless steel.

Further details see catalogue page 541a-d.



Order Number Breakdown

ZVF 50

Body	Hose Inlet	L-Type	Spout Connection	Sight Glass	Spout	Dust Cap Assembly	Ground Cable Assembly
JET (black)	1½" BSP male = .1	Standard = [-]	Screw-In-Connection = SIC	None = [-]	DN 19 for SIC = ER 494	None = [-]	None = [-]
AVGAS (red)	2" BSP male = .2			With = SG	DN 19 for PTL = ER 494 PTL	GKG 19 ER = GKG 19 ER	EKG 1200 = EKG 1200
UL (green)	1½" BSP female = .3	L-Type also suitable for defuelling = L	Push-Twist-Lock Connection = PTL		DN 32 for SIC = ER 495	GKG 32 = GKG 32	EKG 2000 = EKG 2000
	2" BSP female = .4				DN 32 for PTL = ER 495 PTL	GKG 38 = GKG 38	
	1½" NPT female = .5				DN 38 for SIC = ER 583	GKG 38-J = GKG 38-J	
	2" NPT female = .7				DN 38 for PTL = ER 583 PTL		
					JET, OD 68x28 for SIC = ER 587 JET		
					JET, OD 68x28 for PTL = ER 587 JET PTL		
					Flex spout assembly L 600 = SRG 32-600 ZVF 50		
					Flex spout assembly L 1200 = SRG 32-1200 ZVF 50		
					without spout = [-]		

[-]: left blank in order number

For enquiries or easy access to all product options and information, please also use our configurator: nozzleconfigurator.elaflex.de